

## Limited One-Year Warranty

Your RadiantLife HRx is warranted to be free of defect in material and workmanship under normal use.

This warranty is limited for a period of one year from its original purchase date in which repairs or exchange of parts according to what is deemed necessary by the company will be made free of charge.

This warranty does not cover damage by the following;

- Misuse, abuse or alteration to the product
- Damage caused by accident or neglect
- Servicing or repairs made by unauthorized persons

WE SHALL NOT BE RESPONSIBLE FOR ANY INCIDENTAL, SPECIAL, OR CONSEQUENTIAL DAMAGES RESULTING FROM THE USE OF THIS PRODUCT.

**RadiantLife** HRx  
Hair Rejuvenation Laser Comb

## USER'S GUIDE

## Technical Specification

Light Source: 2 x Laser diode 655nm  
Power: 5 mW regulated, pulsed  
Auto Timer: 15 minutes  
Indicators: Power ON  
Beeper on / off  
Intermittent beeper  
End of session  
Battery health  
Battery low  
Battery Type: 1 x 1.5V AA  
Battery Life: 20 hours with  
alkaline battery



Technology by Greatcore, Inc., USA

Radiantcore Sdn. Bhd.  
H-2-1 Plaza Damas 60 Jalan Sri Hartamas 1  
50480 Kuala Lumpur Malaysia

## Care & Cleaning

- Use a soft, dry cloth to clean surfaces. Do not use abrasive cleaners. Do not submerge the device in water. The comb adaptors (c) are detachable by sliding them outwards for cleaning.
- Store the equipment in a dry location, free from dust, away from direct sunlight. The storage temperature should be within 10°C to 40°C.

## Replacing the Battery

- The battery health indicator (b) will flash during operations when the battery has sufficient charge to keep the laser output regulated. Otherwise, the unit will beep 5 times and switches off. Insert new batteries when this happens.  
**Note:** Remove battery if equipment is not likely to be used for some time.
- To access the battery compartment, press the cover release to open the battery door. When inserting new batteries, make sure that the poles are in the right direction.

## Disposal

To protect the environment, dispose of used batteries at appropriate collection sites according to national or local regulations.

Plastic parts are resistant to biodegradation and should be recycled according to material as identified on the parts.



Distributed by

## OPERATING INSTRUCTIONS

### Treatment Sessions

Three to four sessions per week is recommended for the first 3 months. Subsequently, 2 to 3 sessions per week is advised for maintenance.

### Using RadiantLife HRx

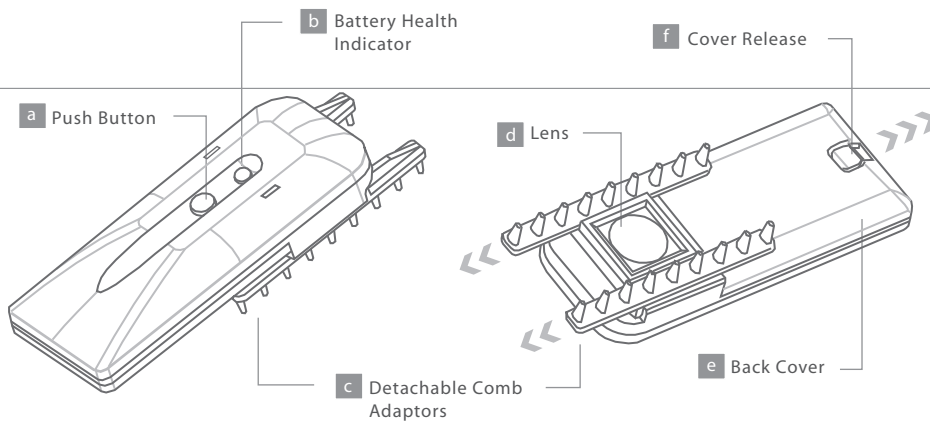
1. Press the cover release (f) to open the back cover (e) and insert a 1.5V AA battery. Slide the cover back in until it snaps in place.
2. Press the button (a) to switch on the unit. A single beep will sound.
3. Brush the comb through the scalp. During this period, the unit beeps every 5 seconds. See "Scanning Method" below.

To mute this feature, press button (a) for 2 seconds. A beep will indicate confirmation of the action. Do likewise, to select this feature again (When the unit is switched on again the next time, the last option selected is featured).

4. After 15 minutes, the unit will beep three times, indicating the end of a session and then switches off automatically. The unit may be switched off at mid-session by pressing button (a) and may be switched on again at anytime.

### Safety Precautions

Avoid shining the laser light directly into eye.



### Scanning Method

1. Scan the scalp in a systematic manner so as to obtain the appropriate dose on the desired areas, giving particular emphasis on the most affected areas. The method below will provide proper coverage and dosage for hair rejuvenation.
2. Scan the scalp by moving the laser comb 5mm in the X direction after each beep.
3. When you have finished scanning in the X direction, move the laser comb to the next spot, about 20mm away in the Y direction and repeat the process until you have completely covered the desired area.
4. Repeat scanning the same area at least one more time. Scan areas with the most severe hair loss more frequently, but not more than six times in one session. For effectiveness, keeping within the dosage window is important in low level laser therapy.

5. The unit automatically switches off after 15 minutes, and it will beep 3 times. This time is usually sufficient for treatment, but if more time is required, just switch the unit on again.

6. Three to four sessions per week is recommended for the first 3 months. Subsequently, 2 to 3 sessions per week is advised for maintenance.

7. RadiantLife HRx may be used to work synergistically with other forms of medically recognized hair treatment.

